

TYPE D PRESSURE PILOT

TYPE D PRESSURE REDUCING PILOT

CONTROLS 3 to 300 PSIG

- Self Contained
- Spring Operated
- Normally Closed
- Packless Construction
- Fluid, Gas & Vapor Applications
- Accurate Regulation Unaffected by Service Conditions
- Easy In-line Maintenance

MODELS

- **TYPE D** for ± 1 psi control of delivery pressures between 3 and 150 psi.
- **TYPE D2** for control of delivery pressures between 100 and 300 psi.
- **TYPE D5** for $\pm 1/2$ psi control of delivery pressures between 1 and 25 psi.
- **TYPE D120** for exceptionally fast response controlling delivery pressures between 5 and 150 psi.

OPTIONS

- Spring Chamber
- Adjusting Handwheel
- Composition Disc
- Integral Mount Body
- Vacuum Spring Assembly

TYPICAL CONFIGURATIONS

- PRESSURE REDUCINGTYPE ED
- PRESSURE REDUCINGTYPE E2D
- PRESSURE REDUCINGTYPE E5D
- PRESSURE REDUCINGTYPE E6D
- WATER PRESSURE REDUCING.....TYPE C34D
- TEMPERATURE & PRESSURETYPE ET14D

APPLICATION DATA

- Pressure Regulating for Steam Distribution
- Regulating for Process Control
- Can be used with Temperature Pilot to Regulate Pressure on Temperature control Application

SIZING INFO
PAGE 117

RATINGS (Maximum Inlet Conditions)

Construction	Pressure PSIG (bar)	Temperature °F (°C)
Cast Iron	250 (17.2) @	450 (232)
Cast Steel	600 (41.4) @	750 (400)

SPRING PRESSURE RANGES (PSIG)

TYPE D	TYPE D2	TYPE D5	TYPE D120
3-20 [†]	100-300	1-10	5-25
5-50 [†]		5-25	10-75
10-100			40-150
20-150			

[†]With Vacuum Spring Assembly, minimum range is 30 inches Hg; maximum is reduced by 15 PSIG.

Canadian Registration # OC 0591.9C

TYPE D PRESSURE REDUCING PILOT

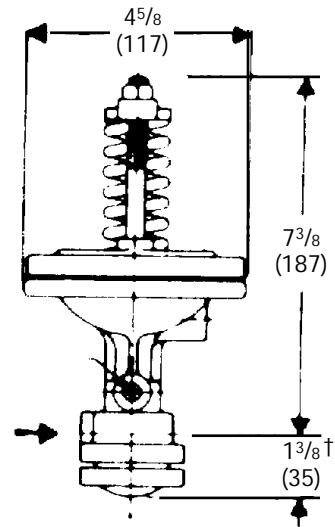
SPECIFICATION

The Pilot shall be separate from the main valve and connected to it with a male union. The Pilot shall be normally closed design with packless construction. A strainer screen shall be built into the Pilot inlet. The Pilot shall be interchangeable on all sizes of main valves.

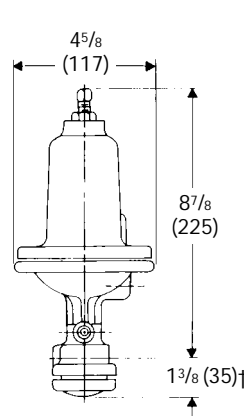
MATERIALS OF CONSTRUCTION

Body, Cast Iron	ASTM A126 CI B
Body, Cast Steel	ASTM A216 GR. WCB
Stem	303 St. Stl. ASTM A582 COND A
Disc	440 St. Stl. ASTM A276-75 COND A
Seat	420 St. Stl. ASTM A276 COND A
Gasket	Non-Asbestos
Diaphragm	301 St. Stl. MIL-5-5059C
Spring	Inconel

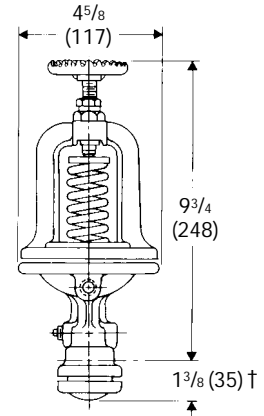
TYPE D
PRESSURE PILOT



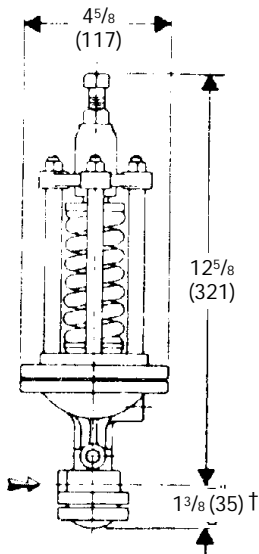
STANDARD D PILOT
7 LBS.
(3.2 KG)



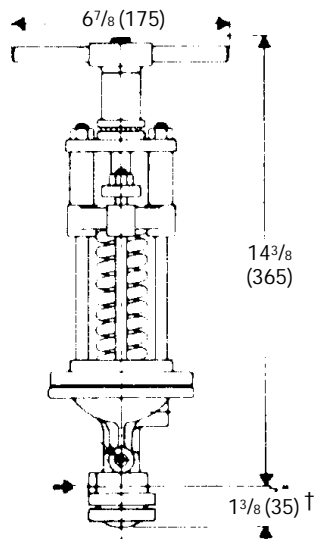
D SPRING CHAMBER
8 LBS. (3.6 KG)



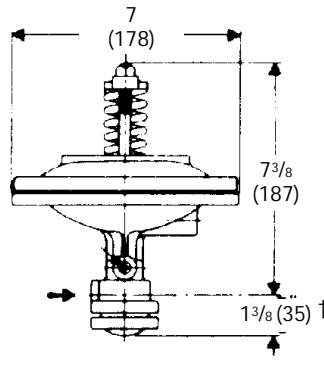
**D ADJUSTING
HANDWHEEL**
9 LBS. (4.1 KG)



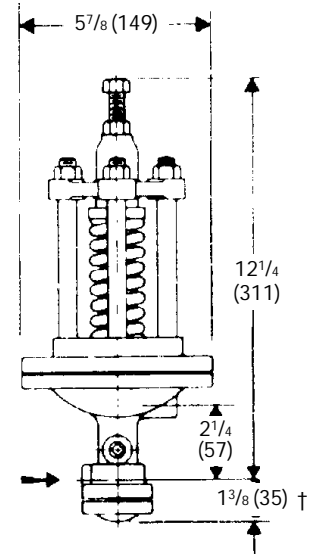
TYPE D2
10 LBS.
(4.5 KG)



**D2 ADJUSTING
HANDWHEEL**
12 LBS. (5.4 KG)



TYPE D5
14 LBS.
(6.4 KG)



TYPE D120
16 LBS.
(7.3 KG)

†For Integral Mount Pilot, this dimension is 5/8" (16).